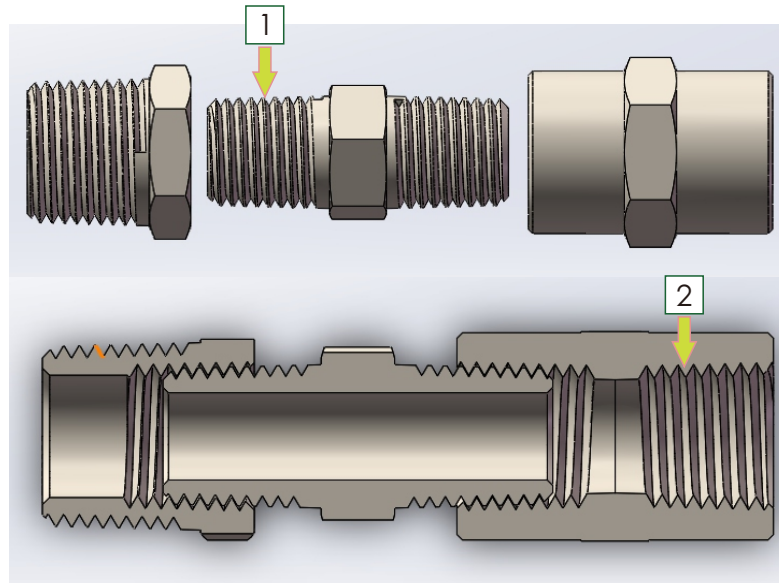


Nickel-Plated PIPE FITTINGS



1 pipe thread

2 pipe thread

PIPE SIZE	M5	1/8	1/4	3/8	1/2	3/4	1"
THREAD SIZE	M5	1/8-28	1/4-19	3/8-19	1/2-14	3/4-14	1"-11

111

Typical cation:

Grease, refrigeration, instrumentation and hydraulic systems. Fuel, LP and natural gas available on special order

Pressure:

Operating pressure up to 40bai

Vibration:

Fair resistance.

Temperature Range:

-104° F to +250° F (-40° C to +120° C

Material:

Hpb59-1 Brass for Barstock fittings.,CA3771 Brass for forged fittings

Used With:

Brass, bronze and iron pipe.

Advantages:

Dryseal pipe threads (**BSPT/BSP**). Large range of sizes and configurations.

Actual Male Thread Profiles

