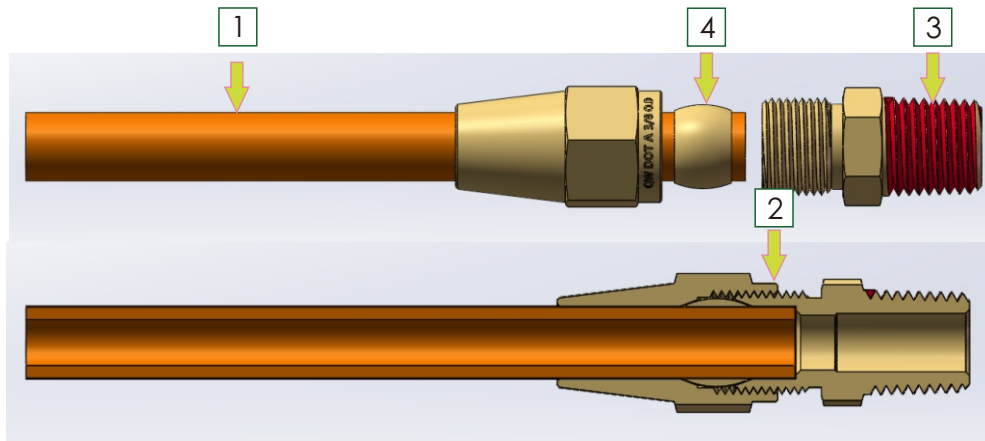


D.O.T AIR BRAKE COPPER TUBING



1 Tube 2 Thread size-B 3 Thread pre-coating glue 4 sleeve

TUBE O.D	1/4"	3/8"	1/2"	5/8"	3/4"
Thread size-B	7/16-24	17/32-24	11/16-20	13/16-18	1"-18

Typical Application:
Air brake systems.

Pressure:
Maximum operating pressure of 150 psi.

Vibration:
Fair resistance.

Temperature Range:
-65° F to +250° F (-53° C to +121° C) with copper tubing.

Material:
CA360 Brass.

Used With:
Copper tubing in air brake systems.

Advantages:
Easy to assemble (no flaring). May be used with nylon tubing by replacing long nut and spherical sleeve with insert, rigid sleeve and nut.

Conformance:
Meets specifications and standards of SAE and DOT.

71

TUBING O.D SIZE

