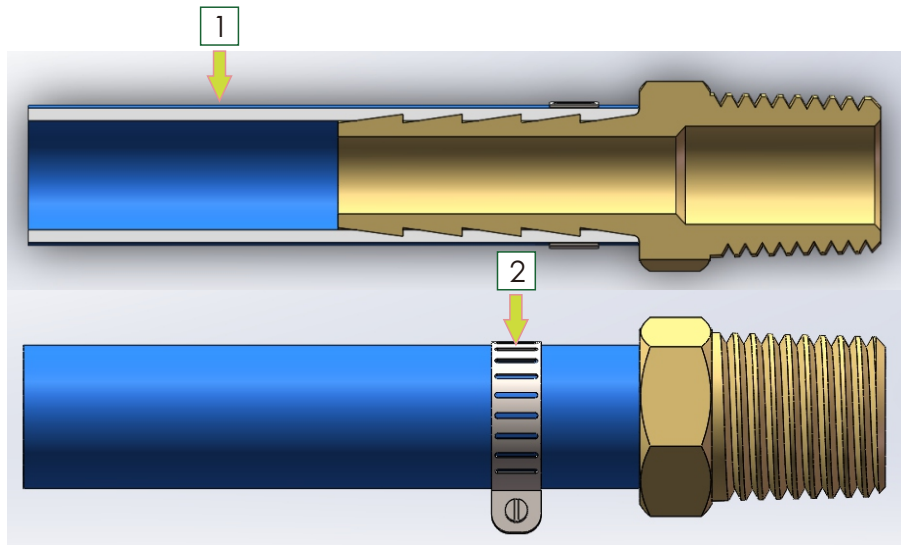


HOSE BARB



1 Tube

2 Hose Clamps

Typical Application:

Temperature control circuits, pneumatic circuits, vacuum and fluid systems test apparatus, lubricant, coolant lines,

Pressure:

Will withstand burst pressures of plastic tubing

Vibration:

Excellent resistance

Temperature Range:

From -40° F to 160° F.

Material:

CA 360 Brass for Barstock fittings., CA377 Brass for forged fittings

8
28

Actual Profile of Hose Barbs

